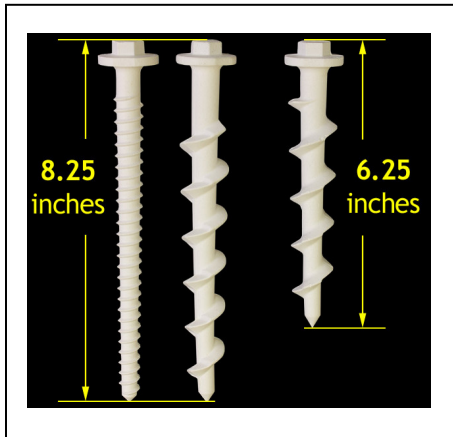


YES WE ARE LISTENING!!

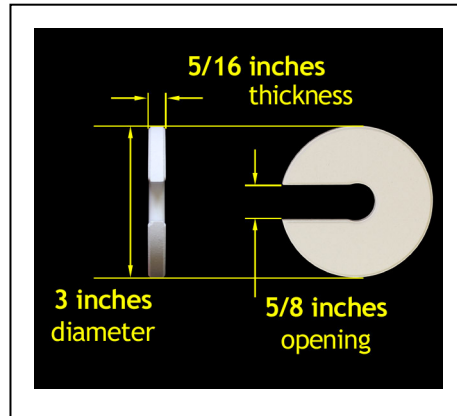
The **STELBOLT®** family has grown with the addition of our 6" Auger style. We had many requests for a reduced length to take advantage of **STELBOLT®** technology in lower temperature / thinner linings where the retention of a new surface layer is positively held with a 6" length. We designed the 6" Auger with 5 flights opposed to 6 over our 8" length to maximize holding power.

For fieldwork we have increased installation productivity with the shorter length, increased strength and reduced insertion time.



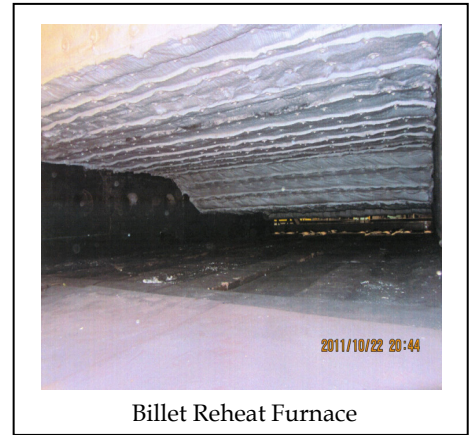
RETENTION WASHER

For multiple layer or overhead applications we recommend our 3" diameter washer to maximize lining support. Slip it on just prior to final insertion of **STELBOLT®**.

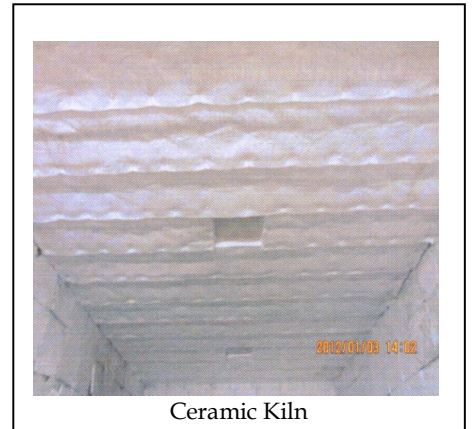


WHO IS USING STELBOLT®?

Furnace operators in the ceramic, forging, steel, aluminum, heat treating, and petrochemical industries have all used **STELBOLT®** to maintain or improve their fiber lined furnaces. O.E.M. furnace builders are designing new equipment utilizing the **STELBOLT®** capability to install composite fiber linings.



Billet Reheat Furnace



Ceramic Kiln

In-service installations have moved from weeks to months to years of service time.

A proven technology to refurbish lining integrity, upgrade furnace operating temperature and reduce operating cost.

STELBOLT® and washer are inventoried in Canada, United States and England. Please contact us for the location nearest you.

In Canada 905-631-1156.
In the U.K. 44-0-1384-571168.

INDUSTRIES SERVED

- | | | | |
|----------------------------|--------------------|------------------------|---------------------------|
| ☞ Refining - Petrochemical | ☞ Non-Ferrous | ☞ Zinc | ☞ Precast Manufacturing |
| ☞ Rock Products | ☞ Die-Casting | ☞ Boiler Manufacturing | ☞ Mineral Processing |
| ☞ Chemical | ☞ Power Generation | ☞ Primary Aluminum | ☞ O.E.M. Furnace Builders |
| ☞ Steel | ☞ Incineration | ☞ Secondary Aluminum | ☞ Cremation |